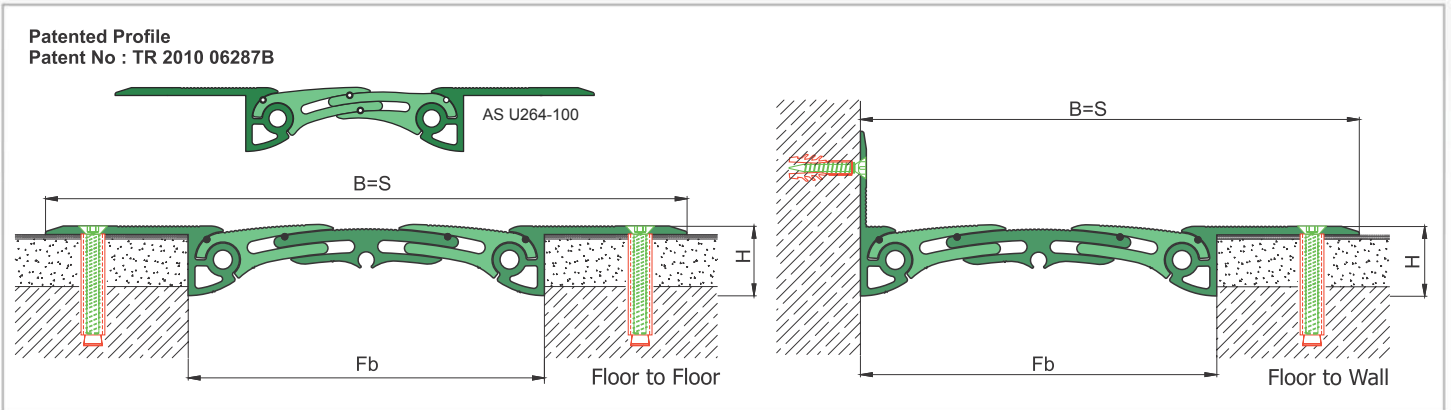
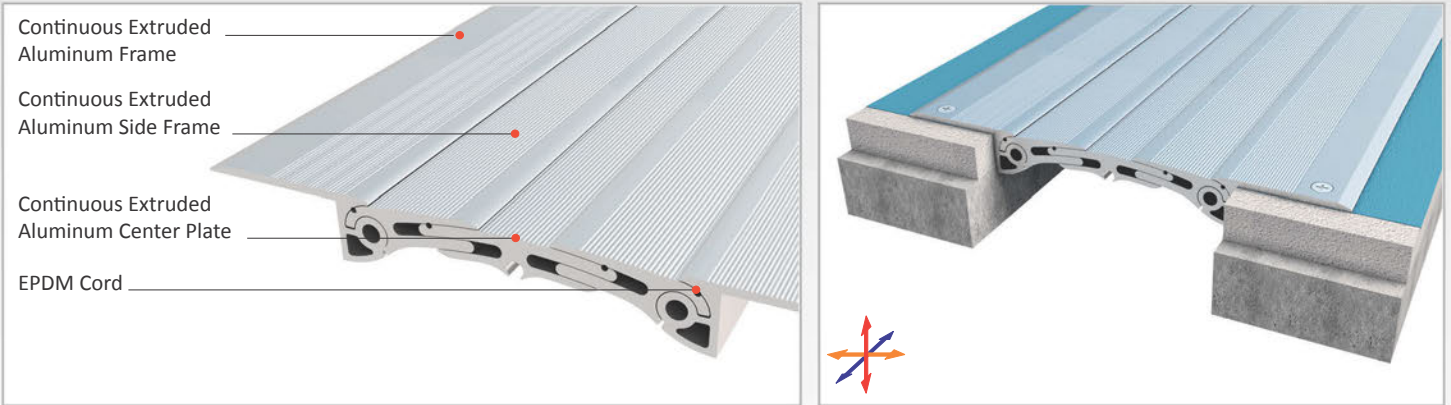


AS U264 is Asteknik's patented profile ( Patent No: TR 2010 06287B) and designed for extreme heavy duty use. Thanks to arch shape which lets it to resist to more load than other surface mounted heavy duty profiles and secures a smooth transition for the vehicles. Pure metal structure characterizes AS U264 to be a hardwearing and maintenance free profile. Hinged & sliding profile design enables the profile to meet the displacements in 3 directions. EPDM cords placed between side frames and center plate eliminate metal stroking noise. Profiles are delivered factory-assembled.

- Application Areas** : Indoor & Outdoor / Floor
- Ideal for** : Factories, Warehouses, Car Parks, Airports, Shopping Malls etc.
- Material** : Mill Finish Aluminum (Anodizing optional), EPDM Cord
- Aluminum Alloy** : 6063 AA-USA / EN AW 6063
- Optional Supplies** : Fire Barrier, Waterproof EPDM membrane

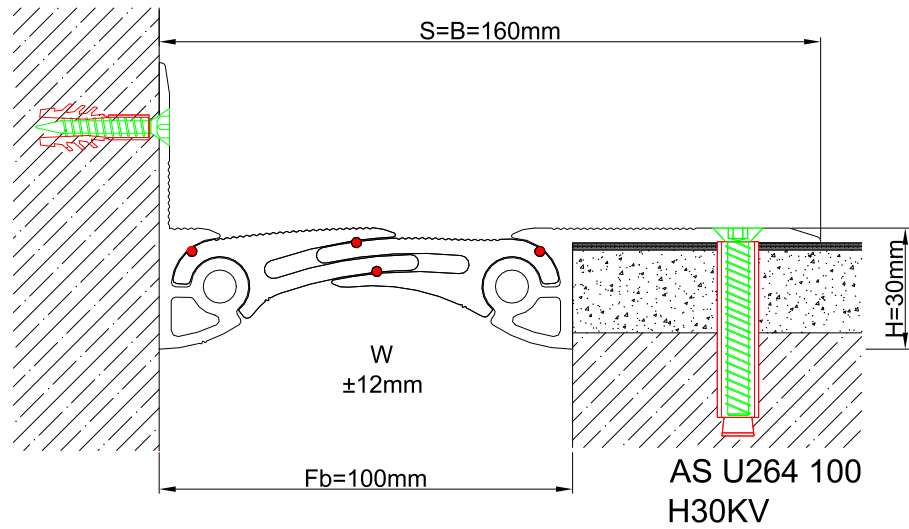
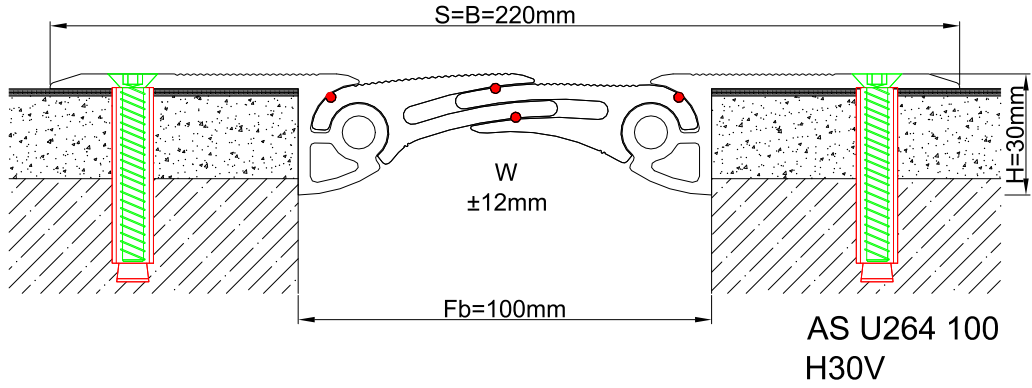



\* Visuals are representative and the profile configuration may differ depending on the characteristics requested.

LOCATION	MODEL	GAP (Fb) mm	HEIGHT (H) MM	OVERALL WIDTH (B) mm	VISIBLE WIDTH (S) mm	MOVEMENT (W) mm	LOAD CAPACITY	STANDARD LENGTH (mt)
Floor to Floor	AS U264-100	100	30	220	220	± 12	70 kN  600 kN	3
	AS U264-120	120	30	240	240	± 16	35 kN  300 kN	3
	AS U264-150	150	30	270	270	+12 / -22	25 kN  120 kN	3
	AS U264-225	225	30	345	345	± 30		3

Note: Please ask for different sizes

Patent No : TR 2010 06287B  
Patentli Profildir / Patented Profile



Profil No Profile Number	AS U264 100	AS U264 100K
Fb (mm)	100	100
H (mm) yaklaşık approx.	30	30
W± (mm) yaklaşık approx.	±12	±12
Renk Color	Alüminyum: Natürel Aluminum: Natural	
Malzeme Material	Alüminyum Aluminum	
Standart Uzunluk (m) Standard Length (m)	3	
Yükleme Kapasitesi Load - Bearing Capacity	70 kN  600kN 